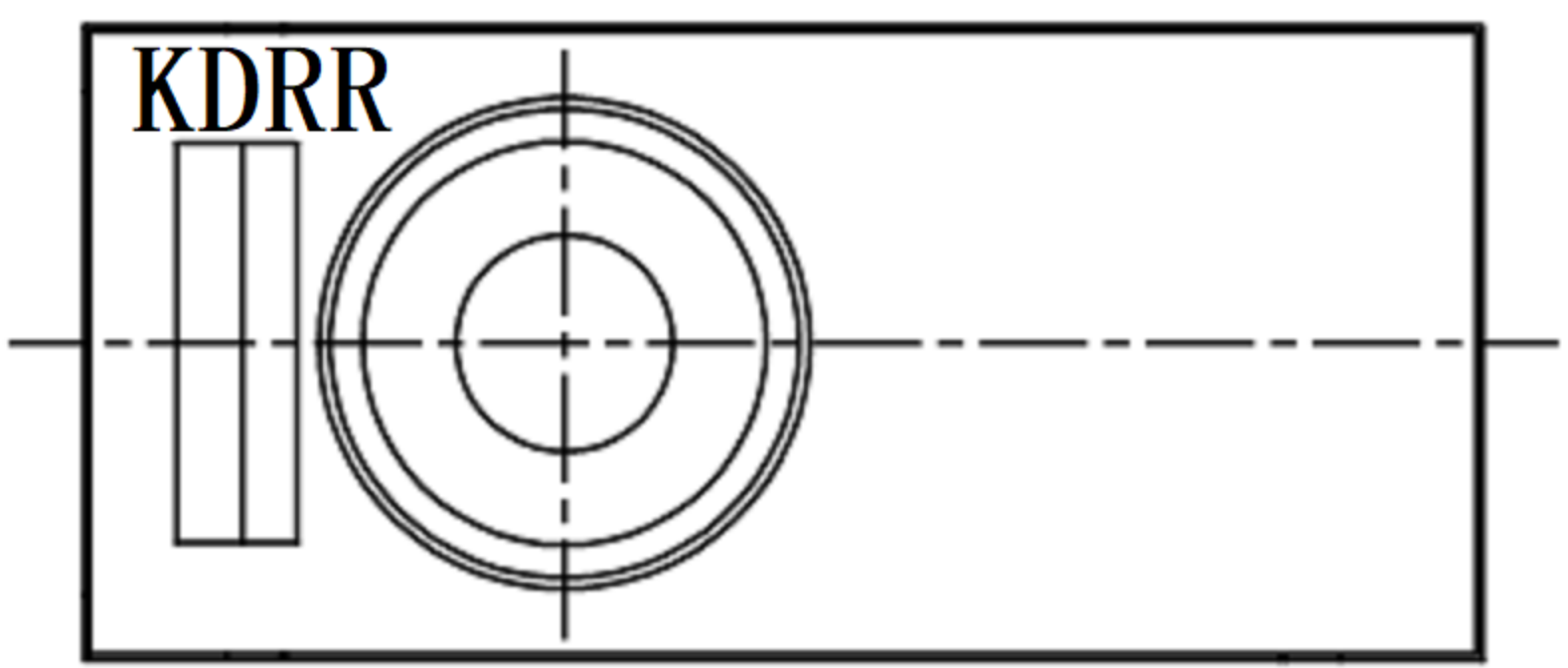
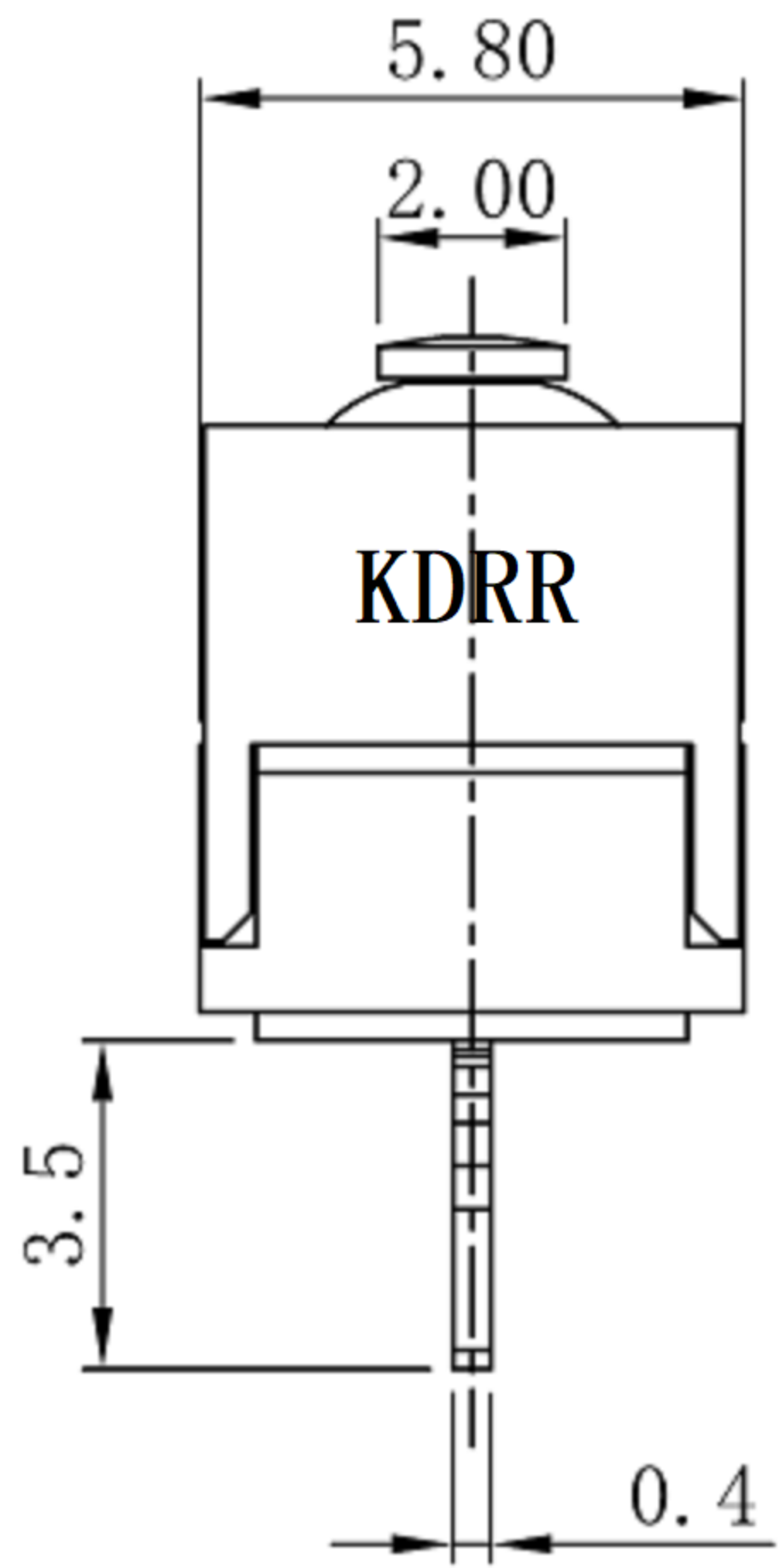


CIRCUIT DIAGRAM



序号	零件名称	数量	材质	备注
10	防水帽	1	硅胶	
9	防水垫	1	硅胶	
8	触点	3	银合金	
7	弹片	1	磷铜	
6	NO端子	1	黄铜镀银	
5	NC端子	1	黄铜镀银	
4	COM端子	1	黄铜镀银	
3	按钮	1	PBT 阻燃料	
2	盖片	1	PBT 阻燃料	
1	底座	1	PBT 阻燃料	

Rating	3A 125VAC 1.5A 125/250VAC	Electrical Life	10,000 cycles
Contact Resistance	500mΩ Max	Mechanical Life	1000,000 cycles
Insulation Resistance	>100MΩ DC500V	Ambient Temper. Used	-25° C to +85° C
Withstand Voltage	AC500V 1min.	Ambient Humidity Used	≤85%RH
Soldering Temper.	250±5° C 5s	Operating Force	110±30gf

 东莞市高迪电子有限公司
DONG GUAN GAO DI ELECTRONICS CO., LTD

TOLERANCE UNLESS OTHERWISE STATED:
Up to 5 ±0.2
Above 5 ~ 15 ±0.3
Above 15 ~ 30 ±0.4
Above 30 ~ 50 ±0.5
Angle ±0.3°

3RD. ANGEL'S

UNITS MM

DRAWN BY:	DATE	MAT'L	TITLE	SWITCH
Ming Ming Zou	10/31/13		MODLE	MICRO SWITCH
CHECKED BY:	DATE	SCALE	DWG NO.	GD-DM3-00P-1
Ning Ning Su	10/31/13	1:1	PART NO.	
APPROVED BY:	DATE	SHEET NO.		
Jia Xiang	10/31/13	1 of 1		

ITEM NO.	DESCRIPTION	DRAWN	DATE